



Bottle Switches (External Mount Level Switches)

NASC's line of brass bottle switches are designed to be installed externally to ship tanks and industrial tanks. It may also be bolted to an adjoining structure. Custom configurations are available upon request. Specifications regarding this model may change without notice.



BTL100/25BBS
BTL 100/25BBN

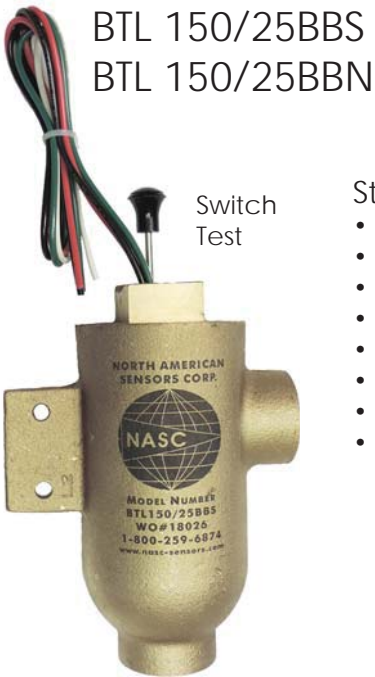
Standard Features:

- All Brass Bottle
- Brass Pipe Plug and Stem
- 316SS Float or Buna Float
- External Mounting Tab
- 18AWG PVC Jacketed 4C Wire
- Hermetically Sealed SPDT Reed Switch
- Made in the USA



| |
|-------------------------------|
| Wiring Logic |
| Switch Rated SPDT 25VA |
| Red - N.O. |
| Black - N.C. |
| White - Common |
| Green - Ground |

The ground wire on this switch should not be used as part of the circuit and should only be used when a ground is not available to the switch.



BTL 150/25BBS
BTL 150/25BBN

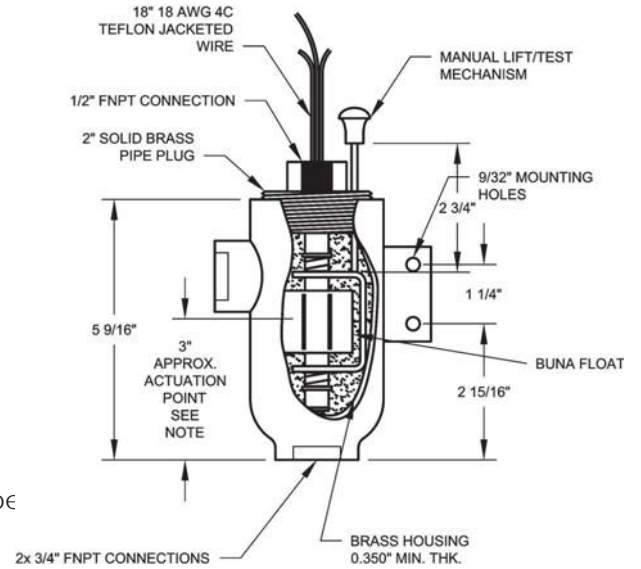
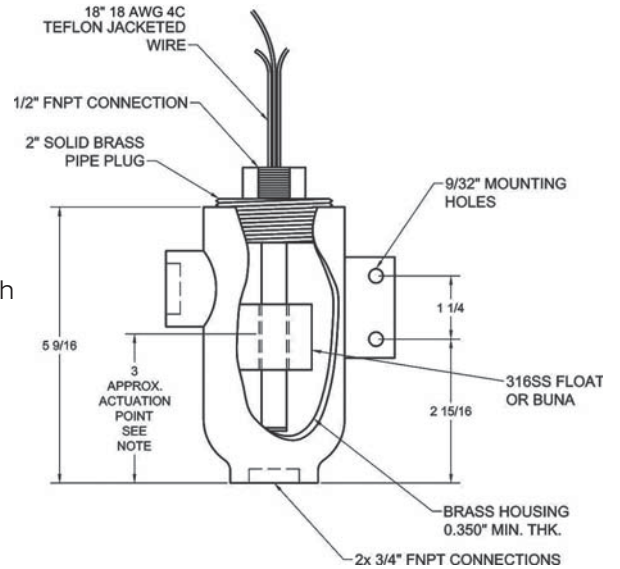
Standard Features:

- All Brass Bottle
- Brass Pipe Plug and Stem
- 316SS Float or Buna Float
- External Mounting Tab
- 18AWG PVC Jacketed 4C Wire
- Hermetically Sealed SPDT Reed Switch
- 316SS Lift/Test Mechanism and Rod Wipe
- ABS Type Approved



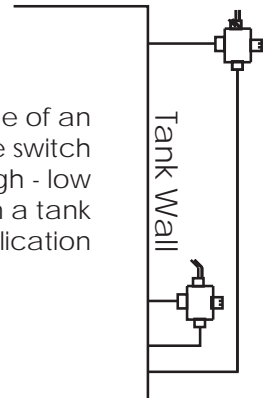
BTL100/25BBS or BTL100/BBN can be supplied with a 100VA from 'C' hermetically sealed reed switch.

Note:
The actuation point will vary depending on the temperature and the specific gravity of the individual liquid be detected.



| | |
|----------------|-------|
| Max Temp | 175F |
| Max PSIG | 50 |
| 316SS Float SG | 0.64 |
| Buna Float SG | 0.48 |
| Watt | 25 |
| Rating* | AC/DC |

Example of an external bottle switch used as high - low level alarms in a tank gauging application





Bottle Switches (External Mount Level Switches)

NASC's line of stainless steel bottle switches are designed to be installed externally to ship tanks and industrial tanks. It may also be bolted to an adjoining structure. Custom configurations are available upon request. Specifications regarding this model may change without notice.

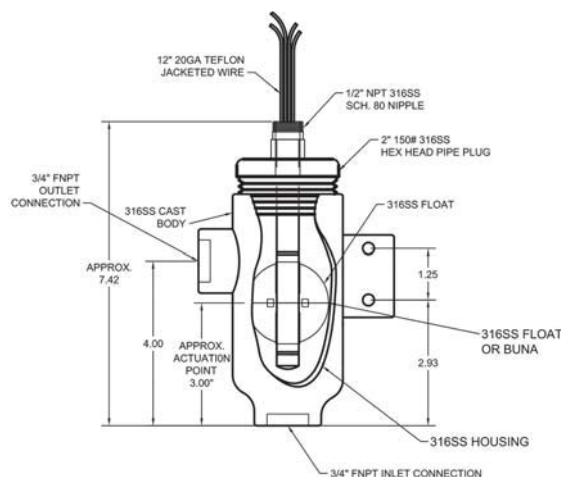
BTL 400/25SSS



| | |
|----------------|-------------|
| Max Temp | 175F |
| Max PSIG | 50 |
| 316SS Float SG | 0.60 - 0.69 |
| Watt Rating* | 25 AC/DC |

Standard Features:

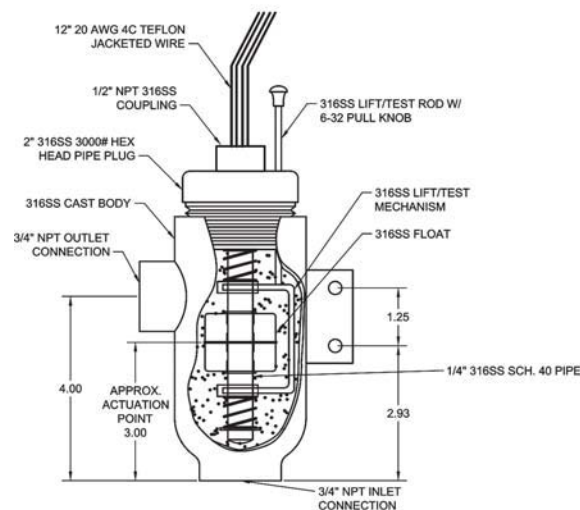
- All 316 Stainless Steel
 - Body
 - Stem & Connections
 - 316SS Float or Buna Float
 - External Mounting Tab
- Interchangeable Parts for Easy Maintenance
- 20 AWG PVC Jacketed 4C Wire
- Hermetically Sealed SPDT Reed Switch
- Made in the USA



BTL 450/25SSS
BTL 450/25SSN



Switch Test

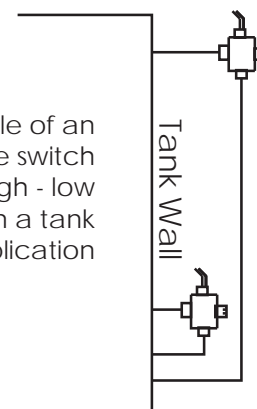


BTL400/25SSS is available with a 100VA from 'C' hermetically sealed reed switch.

Note:
The actuation point will vary depending on the temperature and the specific gravity of the individual liquid be detected.

| | |
|----------------|----------|
| Max Temp | 175F |
| Max PSIG | 50 |
| 316SS Float SG | 0.64 |
| Buna Float SG | 0.48 |
| Watt Rating* | 25 AC/DC |

Example of an external bottle switch used as high - low level alarms in a tank gauging application





Bottle Switches (External Mount Level Switches)

Nasc's line of stainless steel bottle switches are designed to be installed external to marine and industrial tanks to provide a level alarm. It may also be bolted to an adjoining structure for remote mounting. Custom configurations are available upon request. Specifications regarding this model may change without notice.

BTL 500/10SSN

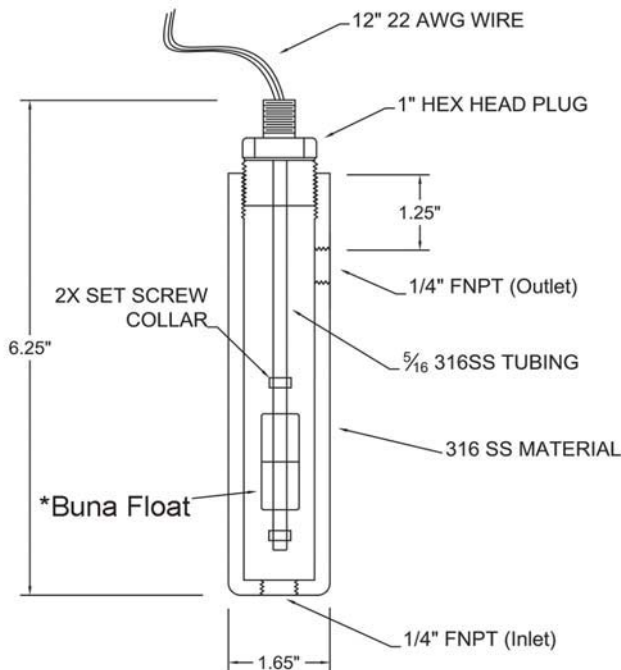


Standard Features:

- 316 Stainless Steel Body
- 316 Stainless Steel Stem & Connections
- Buna Float
- Interchangeable Parts for Easy Maintenance
- 3 # 22 AWG PVC Jacketed Wire
- Hermetically Sealed SPST Reed Switch
- Made in the USA



Example of a low and high level alarm on a level gauge.



| |
|------------------------|
| Wiring Logic |
| Switch Rated SPST 10VA |
| Black - N.C. ** |
| White - Common |
| Green - Ground |

The ground wire on this switch should not be used as part of the circuit and should only be used when a ground is not available to the switch.

| | |
|----------------|----------|
| Max Temp | 175F |
| Max PSIG | 50 |
| *Buna Float SG | 0.45 |
| Watt Rating* | 25 AC/DC |

*Stainless steel float available.
BTL500/SSS

**N.O. available upon request

Note:

The actuation point will vary depending on the temperature and the specific gravity of the individual liquid be detected.