



**Model 905AS 1/2" Short Shank Upper Fixture**

**With Ball Check**

**250 WSP @ 406°F Max**

**400WOG**

**Rising Stem • Bronze Body**

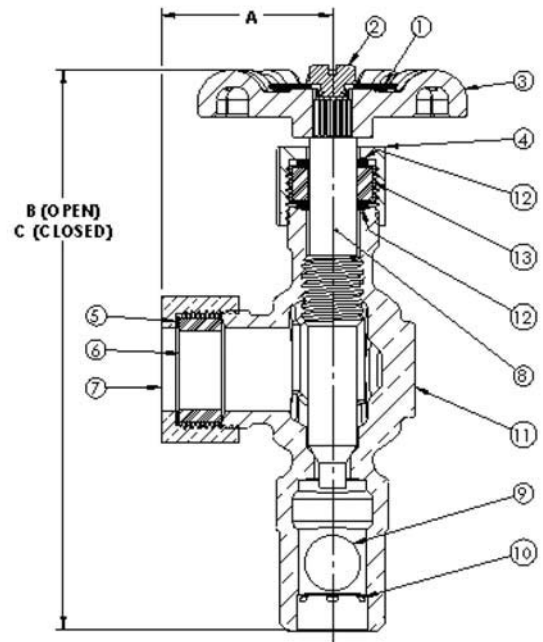
**Ductile Iron Hand Wheel**

**\*Contains Lead. Not Intended for Use in Potable Water Systems\***

**CRN OCO7135.2C**

**MATERIAL LIST**

NO.	DESCRIPTION	MATERIAL
1	Marker Disc	Steel
2	Hex Screw	Steel
3	Hand Wheel	Ductile Iron
4	Packing Nut	Brass
5	Metal Washer	Steel
6	Glass Washer	EPDM
7	Glass Washer Nut	Brass
8	Stem	Brass
9	Ball	Brass
10	Retaining Ring	Stainless
11	Body	Bronze
12	Bevel Washer (2)	Steel
13	Packing	NAFG



Size	1/2"
A	1.25
B	5.20
C	5.02
Ship Wt. (lbs.)	0.63
Qty. Per Carton	12

**\*Available With Plastic Hand Wheel as Part 905ASPW\***



**Model 946AS 1/2"**  
**Short Shank Lower Fixture**  
**With Ball Check**

**250 WSP @ 406°F Max**  
**400WOG**

**Rising Stem · Bronze Body**  
**Ductile Iron Hand Wheel**

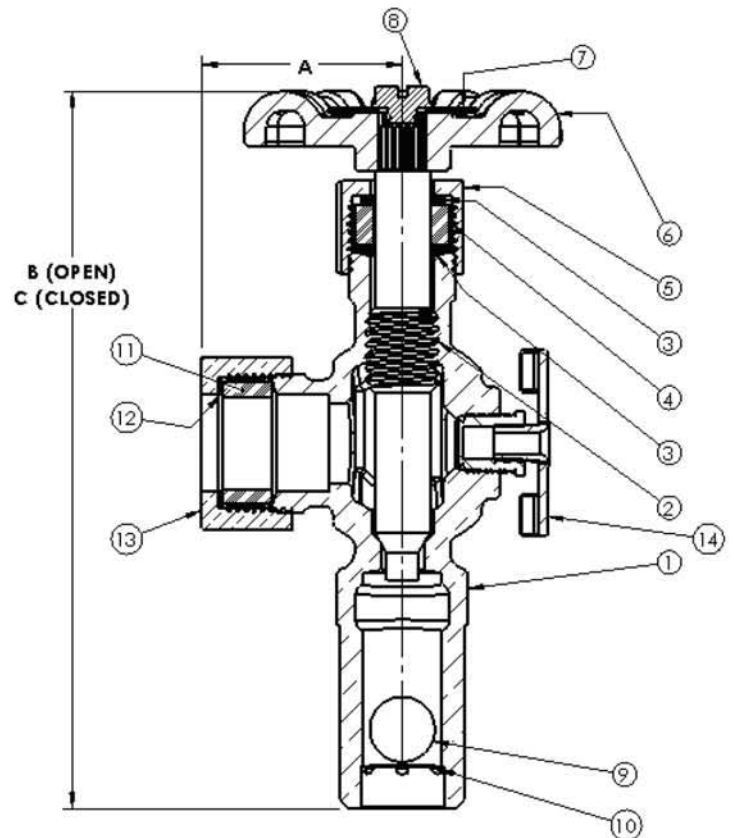
**\*Contains lead. Not For Use In Water Systems**  
**Intended for Human Consumption\***

**CRN OCO7135.2C**

**MATERIAL LIST**

NO.	DESCRIPTION	MATERIAL
1	Body	Bronze
2	Stem	Brass
3	Bevel Washer (2)	Brass
4	Packing	PTFE Aramid
5	Packing Nut	Brass
6	Hand Wheel	Ductile Iron
7	Tag	Steel
8	Hex Nut	Brass
9	Ball	Brass
10	Retaining Clip	Steel
11	Glass Gasket	EPDM
12	Washer	Steel
13	Glass Nut	Brass

Size	1/2"
A	1.25
B	5.20
C	5.02
Ship Wt. (lbs.)	0.63
Qty. Per Carton	12



**\*Available with Plastic Hand**  
**Wheel as Part 946ASPW\***